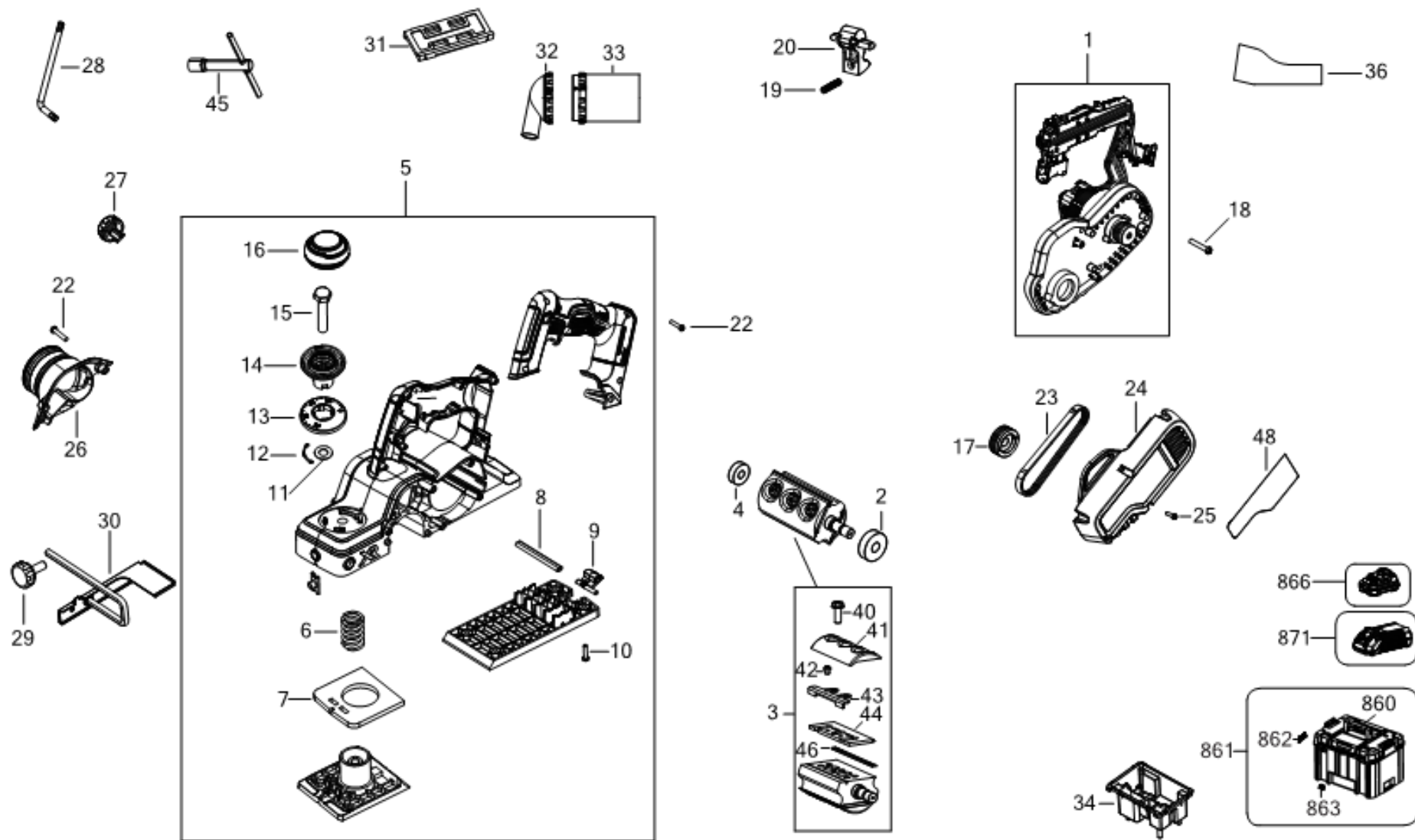




DCP580

TYP.
1



©

Parts List DCP580 PLANER 1

Item	Part Number	Qty	Part Description	General Description	Other Info	Repair Inst	Markets
1	N774128	1	MOTOR & SWITCH SA			No	QW
2	N525396	1	BEARING			No	QW
3	N467508	1	DRUM SA			No	QW
4	605040-06	1	BEARING,BALL			No	QW
5	N467614	1	FSO SHOE			No	QW
6	663305-00	1	SPRING COMPRESSION			No	QW
7	N443822	1	SEAL			No	QW
8	N437006	2	SLEEVE			No	QW
9	N442562	1	INSERT			No	QW
10	N017839	4	SCREW			No	QW
11	663253-00	1	WASHER			No	QW
12	663254-00	1	LEAF SPRING			No	QW
13	N445570	1	SCALE			No	QW
14	N413906	1	HANDLE			No	QW
15	N424992	1	BOLT			No	QW
16	N413909	1	KNOB			No	QW
17	N442576	1	PULLEY			No	QW
18	562097-10	5	SCREW			No	QW
19	N446842	1	SPRING			No	QW
20	N416042	1	BUTTON LOCK-OFF			No	QW
22	682211-00	10	SCREW			No	QW
23	N421858	1	BELT			No	QW
24	N413908	1	BELT COVER			No	QW
25	N469371	2	SCREW			No	QW
26	N416443	1	DUST PORT			No	QW
27	N420026	1	CAP			No	QW
28	N444089	1	WRENCH SPECIAL			No	QW
28	000000-11	1	NO LONGER REQUIRED ON THIS UNI			No	QW
29	N434189	1	SCREW			No	QW
30	N425643	1	FENCE			No	QW
31	663315-00	1	GAUGE			No	QW
32	N455892	1	DEFLECTOR			No	QW

Parts List DCP580 PLANER 1

Item	Part Number	Qty	Part Description	General Description	Other Info	Repair Inst	Markets
33	N455893	1	BAG SA			No	QW
34	N439783	1	INSERT			No	QW
36	NA049830	1	RATING LABEL			No	QW
40	N424801	6	BOLT	M6x16		No	QW
41	NA622958	1	BLADE CLAMP			No	QW
42	N444264	4	SCREW			No	QW
43	N424765	2	ADJUSTER			No	QW
44	N556874	2	RETAINER			No	QW
45	N460300	1	WRENCH SPECIAL			No	QW
46	N455909	1	BLADE SA			No	QW
48	N452957	1	BRAND LABEL			No	QW
860	H1400196008	1	HANDLE			No	QW
861	N445186	1	KITBOX			No	QW
862	N409477	1	LATCH			No	QW
863	P910190	2	LATCH			No	QW
866	N394624	1	BATTERY 18V - 5.0AH - 90WH			No	QW
871	NA132878	1	CHARGER	DCB1104-QW		No	QW